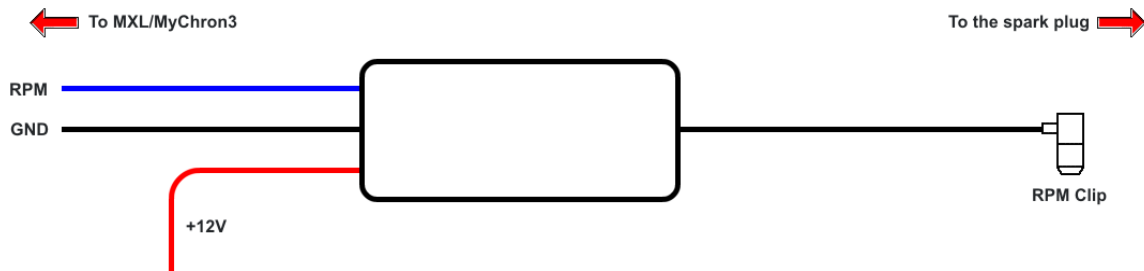


## RPM inductive adapter for MXL and MyChron3



### 1.1 – General information

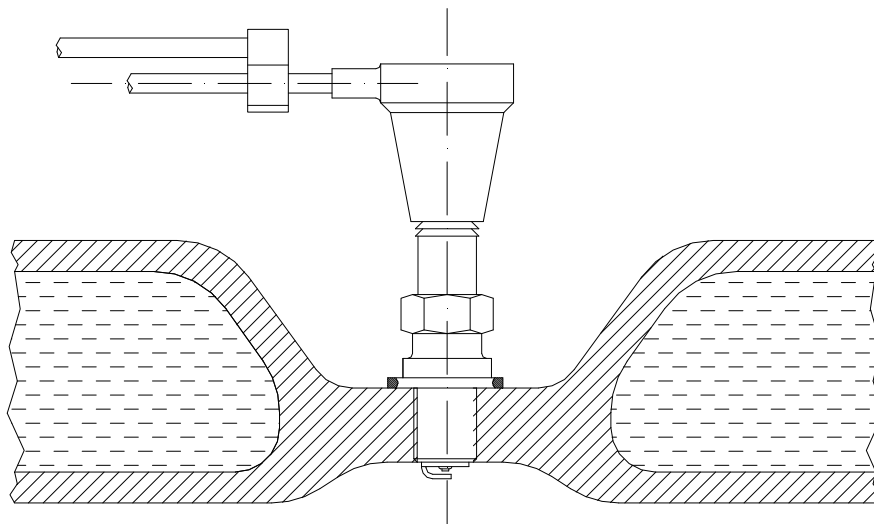
RPM adapter is a filter that allows to sample the spark plug RPM signal. This filter converts the RPM signal sampled by induction from the spark plug in a square waveform one.

### 1.2 – Installation notes

To sample RPM signal out coming from the spark plug follow these steps:

- connect RPM clip to the spark plug as shown **in the image here below**;
- connect the black cable labelled “GND” to the logger GND pin;
- connect the black cable to a +12V output (the battery positive pole for example);
- connect the blue cable labelled “RPM” to **MXL** or **MyChron3** RPM input;

Always refer to the loggers pinout when available or to the loggers user manual were the pinout are included for further information. These documents are available from “Area download documentation” of [www.aim-sportline.com](http://www.aim-sportline.com).



### 1.3 – RPM Inductive adapter for MXL and MyChron3 part number

The part number for RPM inductive adapter for **MXL** is:

**X10ADRP000**

The part number for RPM inductive adapter for **MyChron3** is:

**X05ADRPMM30**