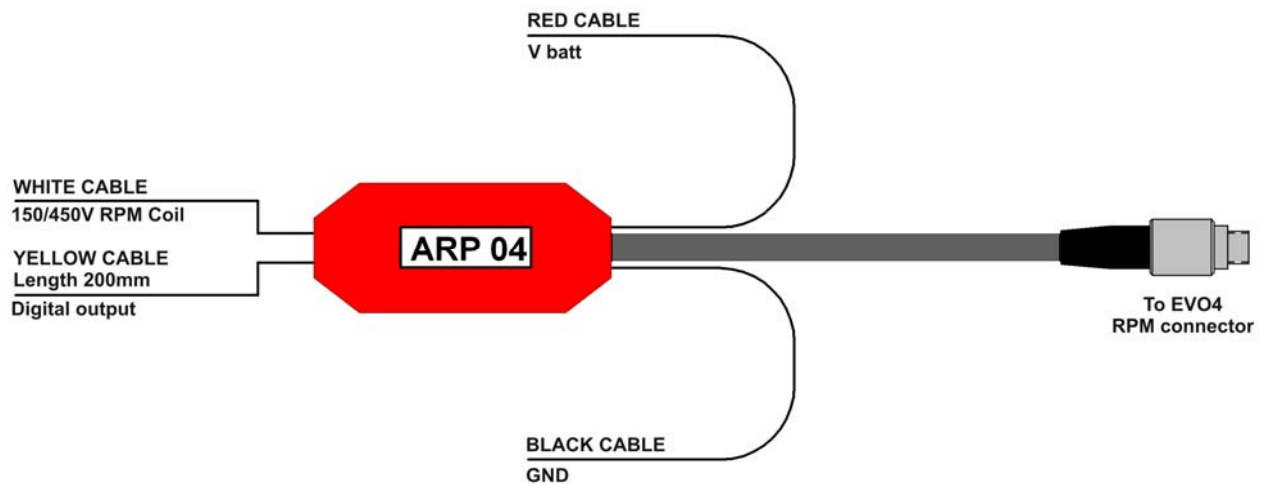
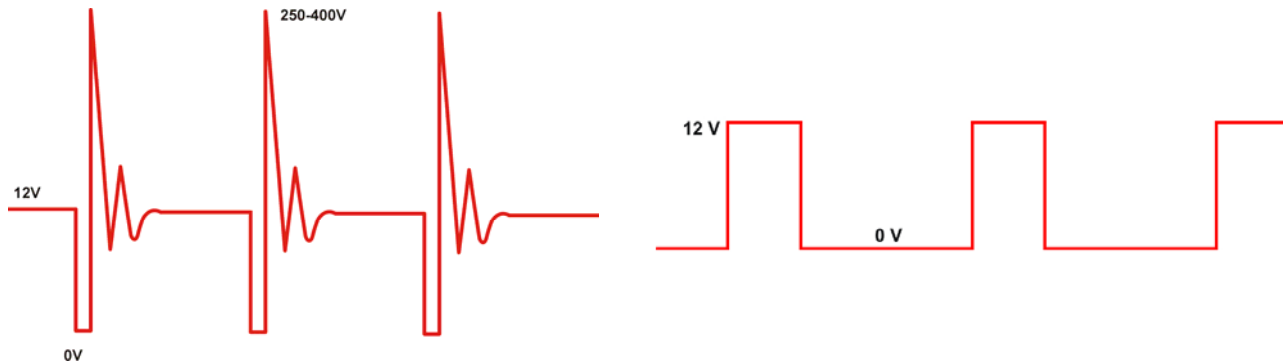


## 1 – RPM coil adapter for EVO4



It can happen that RPM signal, sampled from the coil, is not correctly sampled by **EVO4**: it can be very instable or the value shown does not correspond to the real one. This problem can depend on electrical interferences that causes noise peaks. RPM coil adapter filters the signal. The images here below show an RPM signal out coming from the coil on the left and the same signal filtered on the right.



## 2 – Dimensions

RPM coil adaptor for **EVO4**:

- Red cable length: 200 mm
- Black cable length: 200 mm
- White cable length: 200 mm
- **EVO4** connection cable length: 1350 mm